

Catheters

Therapeutic Infusion Systems

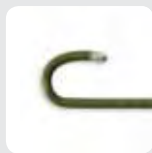
May not be available for all OEM applications.

Single use. Sold packaged sterile. For non-sterile and other packaging options, please contact a Merit OEM representative.

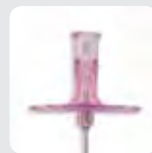
SEE RELATED PRODUCTS



Hemostasis
Valves



Guide Wires



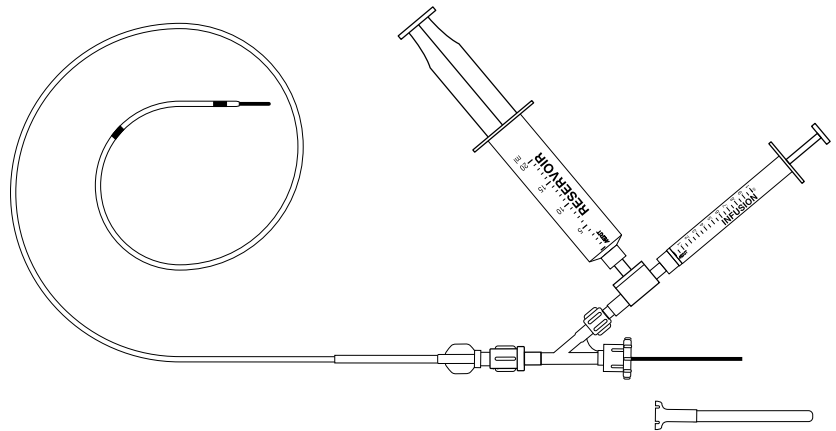
Needles

Therapeutic Infusion Systems

5 French Fountain® Infusion System

Consists of the 5 French Fountain Infusion Catheters, matching occluding wire, check relief valve, AccessPLUS™ Hemostasis Valve, wire protector cap, 1ml infusion syringe and 20ml reservoir syringe. Packaged and sold individually in tray, 5 units per box.

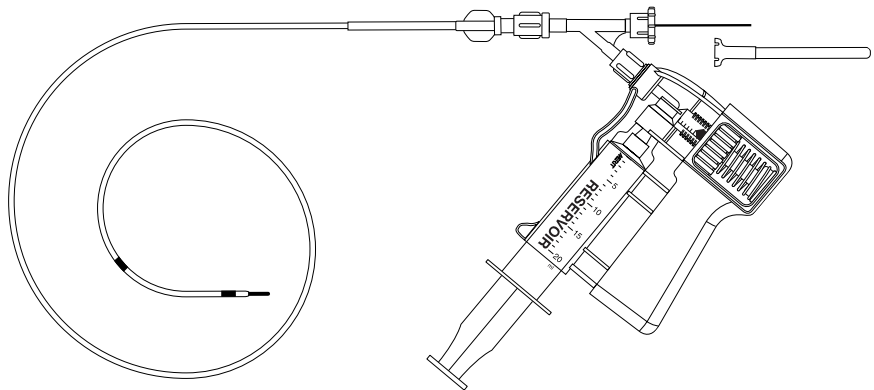
Catalog Number	Catheter Length (cm)	Infusion Length (cm)
FIS5-45-10	45	10
FIS5-45-20	45	20
FIS5-90-5	90	5
FIS5-90-10	90	10
FIS5-90-20	90	20
FIS5-90-30	90	30
FIS5-90-40	90	40
FIS5-90-50	90	50
FIS5-135-5	135	5
FIS5-135-10	135	10
FIS5-135-20	135	20
FIS5-135-30	135	30
FIS5-135-40	135	40
FIS5-135-50	135	50



5 French Fountain Infusion System with Squirt®

Consists of the 5 French Fountain Infusion Catheters, matching occluding wire, AccessPLUS Hemostasis Valve, wire protector cap, 20ml reservoir syringe and Squirt Fluid Dispensing System. Packaged and sold individually in tray, 5 units per box.

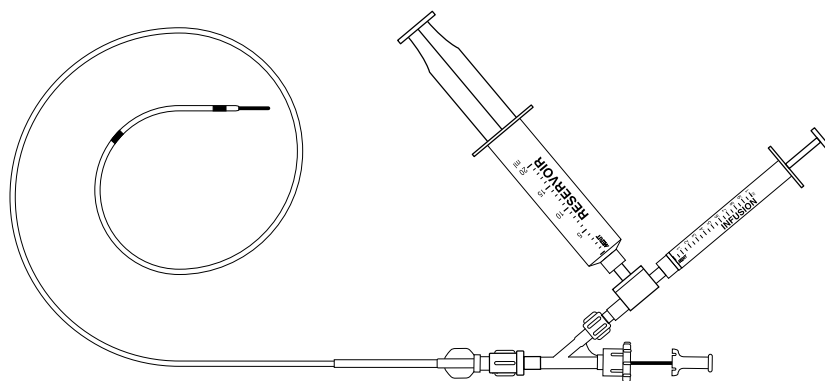
Catalog Number	Catheter Length (cm)	Infusion Length (cm)
FIS5-45-10SQ	45	10
FIS5-45-20SQ	45	20
FIS5-90-5SQ	90	5
FIS5-90-10SQ	90	10
FIS5-90-20SQ	90	20
FIS5-90-30SQ	90	30
FIS5-90-40SQ	90	40
FIS5-90-50SQ	90	50
FIS5-135-5SQ	135	5
FIS5-135-10SQ	135	10
FIS5-135-20SQ	135	20
FIS5-135-30SQ	135	30
FIS5-135-40SQ	135	40
FIS5-135-50SQ	135	50



4 French Fountain Infusion System

Consists of the 4 French Fountain Infusion Catheter, matching occluding wire, check relief valve, AccessPLUS Hemostasis Valve, 1ml infusion syringe and 20ml reservoir syringe. Packaged and sold individually in tray, 5 units per box.

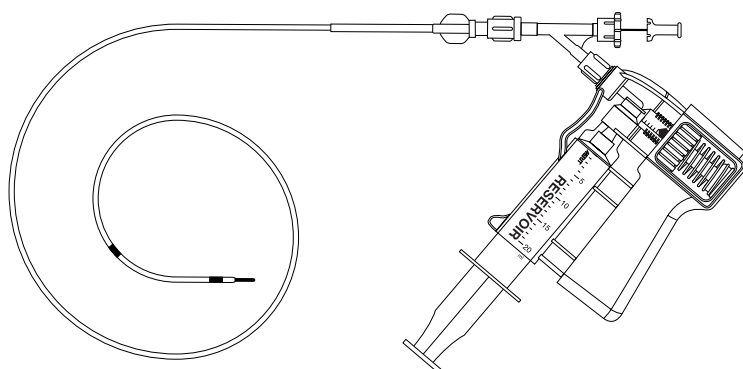
Catalog Number	Catheter Length (cm)	Infusion Length (cm)
FIS4-45-10	45	10
FIS4-45-20	45	20
FIS4-90-5	90	5
FIS4-90-10	90	10
FIS4-90-20	90	20
FIS4-90-30	90	30
FIS4-90-40	90	40
FIS4-90-50	90	50
FIS4-135-5	135	5
FIS4-135-10	135	10
FIS4-135-20	135	20
FIS4-135-30	135	30
FIS4-135-40	135	40
FIS4-135-50	135	50



4 French Fountain Infusion System with Squirt

Consists of the 4 French Fountain Infusion Catheter, matching occluding wire, AccessPLUS Hemostasis Valve, 20ml reservoir syringe and Squirt Fluid Dispensing System. Packaged and sold individually in tray, 5 units per box.

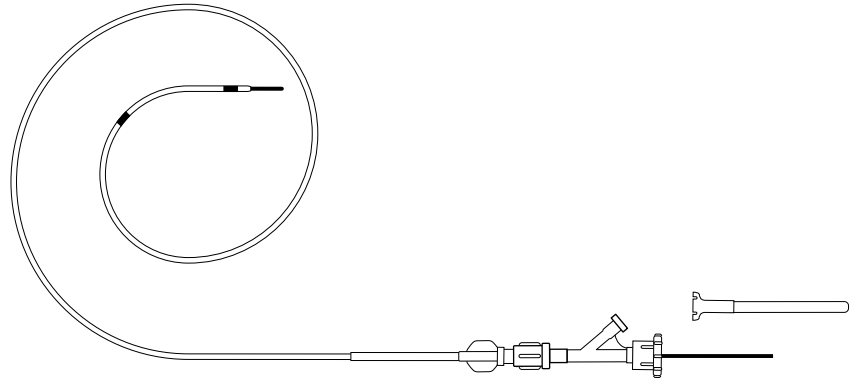
Catalog Number	Catheter Length (cm)	Infusion Length (cm)
FIS4-45-10SQ	45	10
FIS4-45-20SQ	45	20
FIS4-90-5SQ	90	5
FIS4-90-10SQ	90	10
FIS4-90-20SQ	90	20
FIS4-90-30SQ	90	30
FIS4-90-40SQ	90	40
FIS4-90-50SQ	90	50
FIS4-135-5SQ	135	5
FIS4-135-10SQ	135	10
FIS4-135-20SQ	135	20
FIS4-135-30SQ	135	30
FIS4-135-40SQ	135	40
FIS4-135-50SQ	135	50



5 French Fountain Infusion Catheter

Matching occluding wire, AccessPLUS Hemostasis Valve, and wire protector cap.
 Packaged and sold individually in a pouch, 5 units per box.

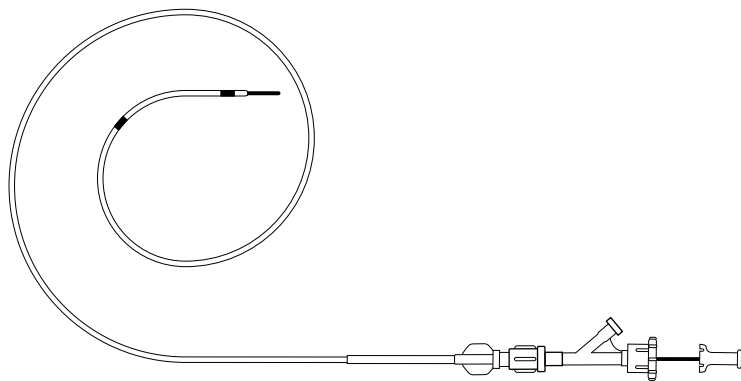
Catalog Number	Catheter Length (cm)	Infusion Length (cm)
IS5-45-10	45	10
IS5-45-20	45	20
IS5-90-5	90	5
IS5-90-10	90	10
IS5-90-20	90	20
IS5-90-30	90	30
IS5-90-40	90	40
IS5-90-50	90	50
IS5-135-5	135	5
IS5-135-10	135	10
IS5-135-20	135	20
IS5-135-30	135	30
IS5-135-40	135	40
IS5-135-50	135	50



4 French Fountain Infusion Catheter

Matching occluding wire and AccessPLUS hemostasis valve. Packaged and sold individually in a pouch, 5 units per box.

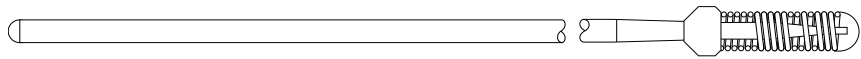
Catalog Number	Catheter Length (cm)	Infusion Length (cm)
IS4-45-10	45	10
IS4-45-20	45	20
IS4-90-5	90	5
IS4-90-10	90	10
IS4-90-20	90	20
IS4-90-30	90	30
IS4-90-40	90	40
IS4-90-50	90	50
IS4-135-5	135	5
IS4-135-10	135	10
IS4-135-20	135	20
IS4-135-30	135	30
IS4-135-40	135	40
IS4-135-50	135	50



Fountain Occluding Wire

Packaged and sold individually in a pouch, 5 units per box.

Catalog Number	Description	Length (cm)
FW5-45	5F Wire	45
FW5-90	5F Wire	90
FW5-135	5F Wire	135
FW4-45	4F Wire	45
FW4-90	4F Wire	90
FW4-135	4F Wire	135



Squirt Fluid Dispensing System

For the repeatable injection of multiple dose therapy. Packaged 10 units per box.

Catalog Number

FDS100

